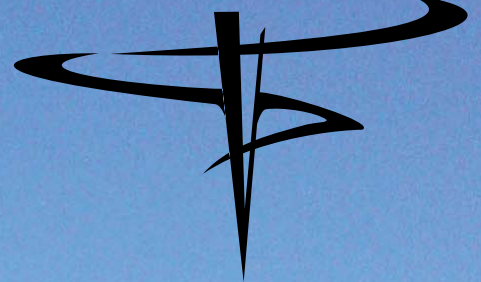
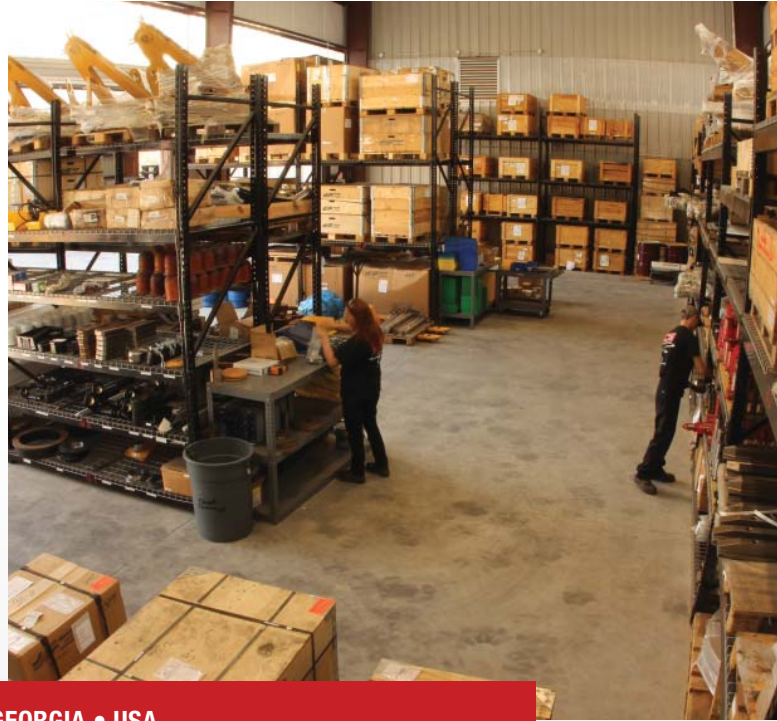


CZM

FOUNDATION EQUIPMENT



EK200LS SOIL MIXING



SAVANNAH • GEORGIA • USA

KANBAN KIT

THE COMPANY

- CZM has over 40 years of foundation equipment manufacturing experience with a wide range of models for multiple applications.
- CZM Foundation Equipment's USA Factory is located in Savannah, Georgia.
- CZM has designed their models with the after sales being priority. Quality and service are the main ingredients to a dependable machine. For these reasons CZM uses Caterpillar as a base. The Cat bases are not only operator and maintenance friendly but by using it enables the customer access to the large Caterpillar Network.
- Using Cat the after sales of CZM can focus on the parts and services of the rig itself. Special Spare Parts KANBAN Boxes are available for costumers and dealers. Through them, managing of the inventory is visual, and requires no special systems or skilled personnel.





EK200LS

EK200LS is in fact a multipurpose rig that has a long stroke capability, with diversified possibilities of feed and extraction forces and speeds.

Different types of rotaries can be mounted, for different applications.

Including: Single and double rotary soil mixing, Jet Grouting and Vibratory hammers.

TECHNICAL SPECIFICATIONS

GENERAL DATA

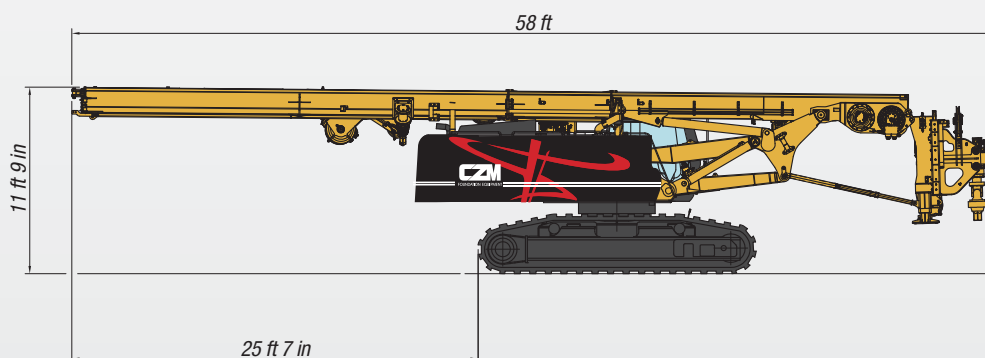
Base	CAT® 336 - Extended crawler	Extraction speed	29 ft/min
Engine	CAT® C9.3 ACERT	Feed / Extraction stroke	65 ft
Net power	300 HP	Mast inclination - Forward	3,5°
Rotary model	Eurodrill RH4300	Mast inclination - Sideways	3,5°
Maximum torque	25.200 ft.lb at 57 RPM	Transport weight	127.000 lb
Maximum RPM	86 RPM at 17.000 ft.lb	Transport width	10 ft 8 inches
Maximum depth	65 ft	Track shoes width	35.5 inches
Feed force	44.000 lb	Auxiliary winch	8.400 lb
Feed speed	39 ft/min	Ground pressure	14 psi
Extraction force	79.000 lb	Main circuit pressure	5.000 psi



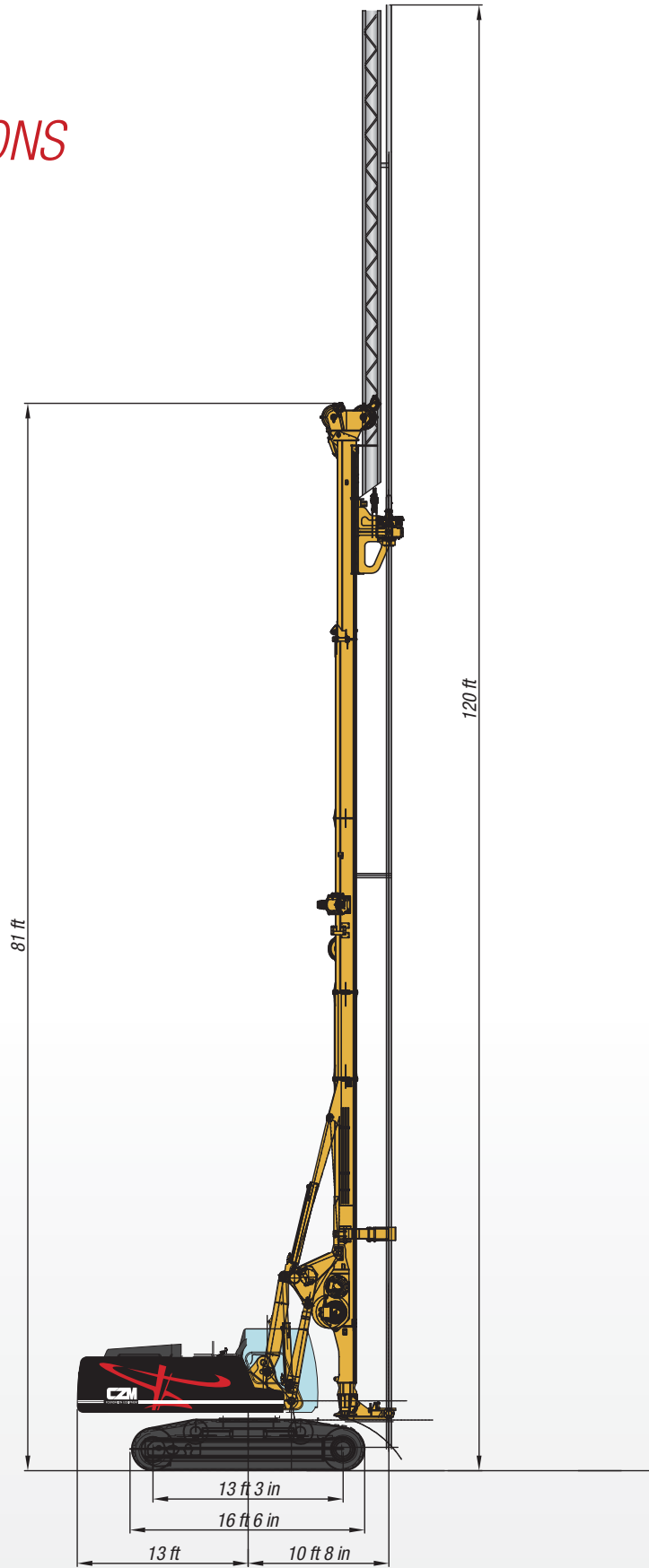
GENERAL DIMENSIONS SOIL MIXING



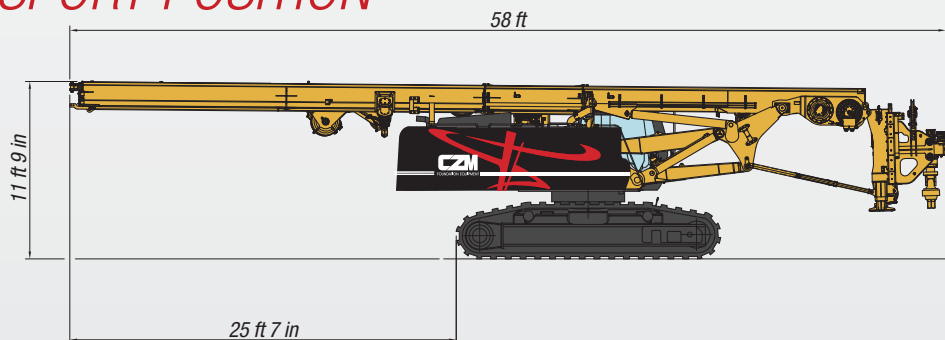
TRANSPORT POSITION



GENERAL DIMENSIONS JET GROUTING



TRANSPORT POSITION







CZM
FOUNDATION EQUIPMENT

WWW.CZM-US.COM

145 East Industrial Boulevard
Pembroke • Georgia • ZIP Code: 31321
United States • Phone: 1(912)200-7654

1(912)200-7654

**GEORGIA
SAVANNAH**

Specifications are subject to change without notice.